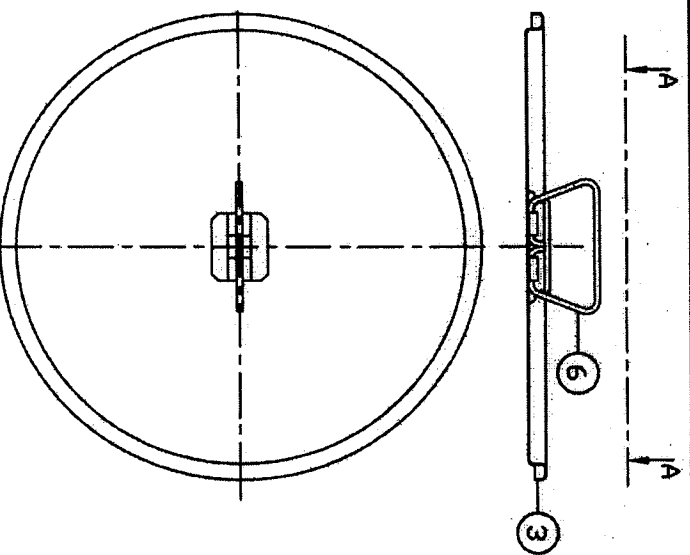
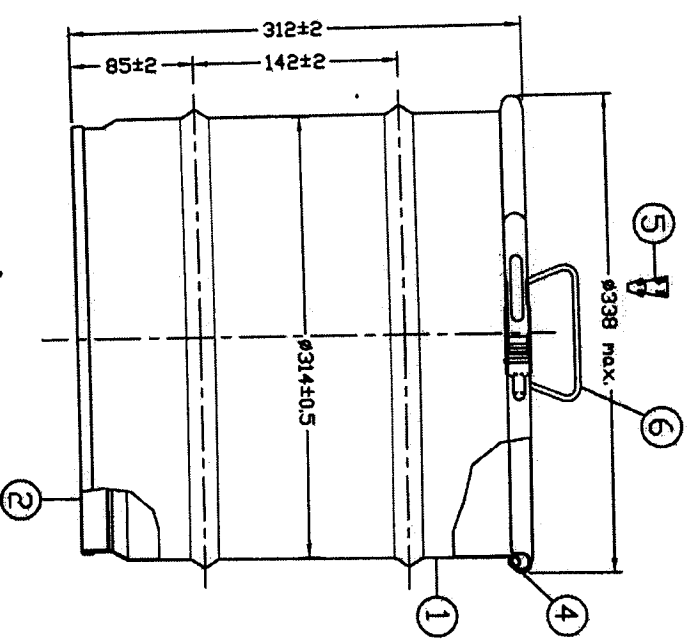


0600020



VIEW A-A

CHEN SAMUEL CHEMICALS LTD.

99 Halutzey Hatasya st.
Haifa Bay 2611001, Israel
Tel: 04-8814900 Fax: 04-8400882

REMARKS :

- EXTERNAL FINISH : PAINTING.
TYPE : ALKYD MELAMIN OR POLYESTER.
COLOR : BLUE S010.
THICKNESS BY PRINTING : 12±4 Micron.
THICKNESS BY SPRAYING : 18±4 Micron.
- INTERNAL FINISH : LACQUER 433.
- DRUM WEIGHT WITHOUT LID : 1.9±0.2 Kg.
TOTAL WEIGHT : 2.8±0.2 Kg.

CHEN SAMUEL CHEMICALS LTD.
99 Halutzey Hatasya st.
Haifa Bay 2611001, Israel
Tel: 04-8814900 Fax: 04-8400882

2	Cat. No. Update	Drawn	Appr.	30-08-16
Edition Changes				

Part Name	Qty	Material	Dimensions	Weight	Notes
1	1	GA STEEL	Ø4		HANDLE
2	1	PE			SAFETY PIN
3	1	GA	0.9		LEVER LOCK RING
4	1	ST-12-03	0.6		BLUE LID WITH COMP.
5	1	ST-12-03	0.6		BOTTOM WITH COMP.
6	1	ST-12-03	0.6		DRUM BODY

Part Name	Qty	Material	Dimensions	Weight	Notes
403	1	Steel	Ø314x454		STEEL DRUM D.T. 20/06 BLUE/LACQUER LID + LEVER LOCK RING + HANDLE